

# JVC

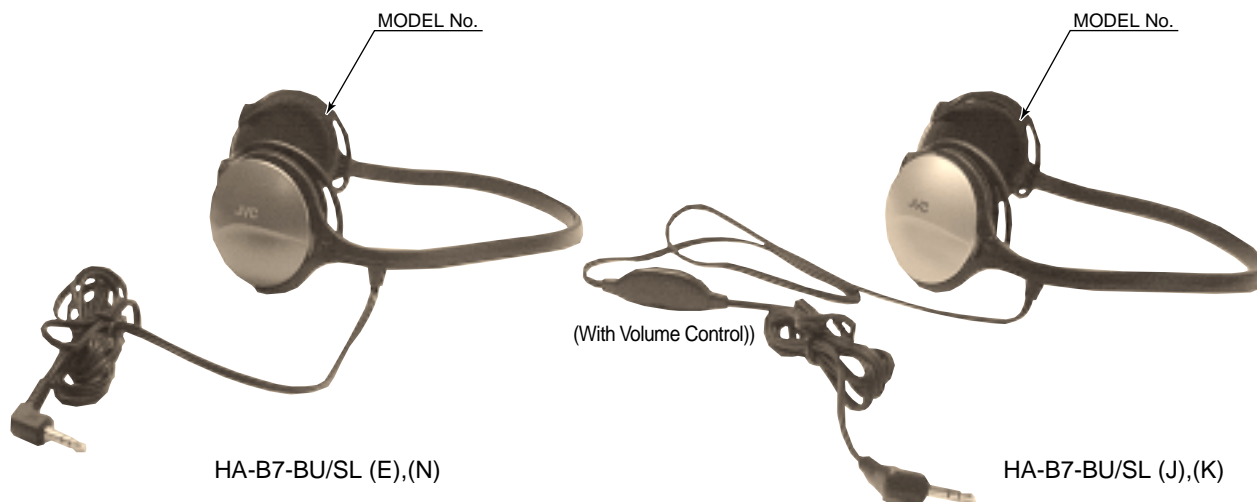
## SERVICE MANUAL

### STEREO HEADPHONES

# HA-B7-BU/SL(E),(J),(K),(N)

(Blue) (Silver)

The "Product Exchange System" is applicable to this product.  
For limited spare parts, refer to the parts list.

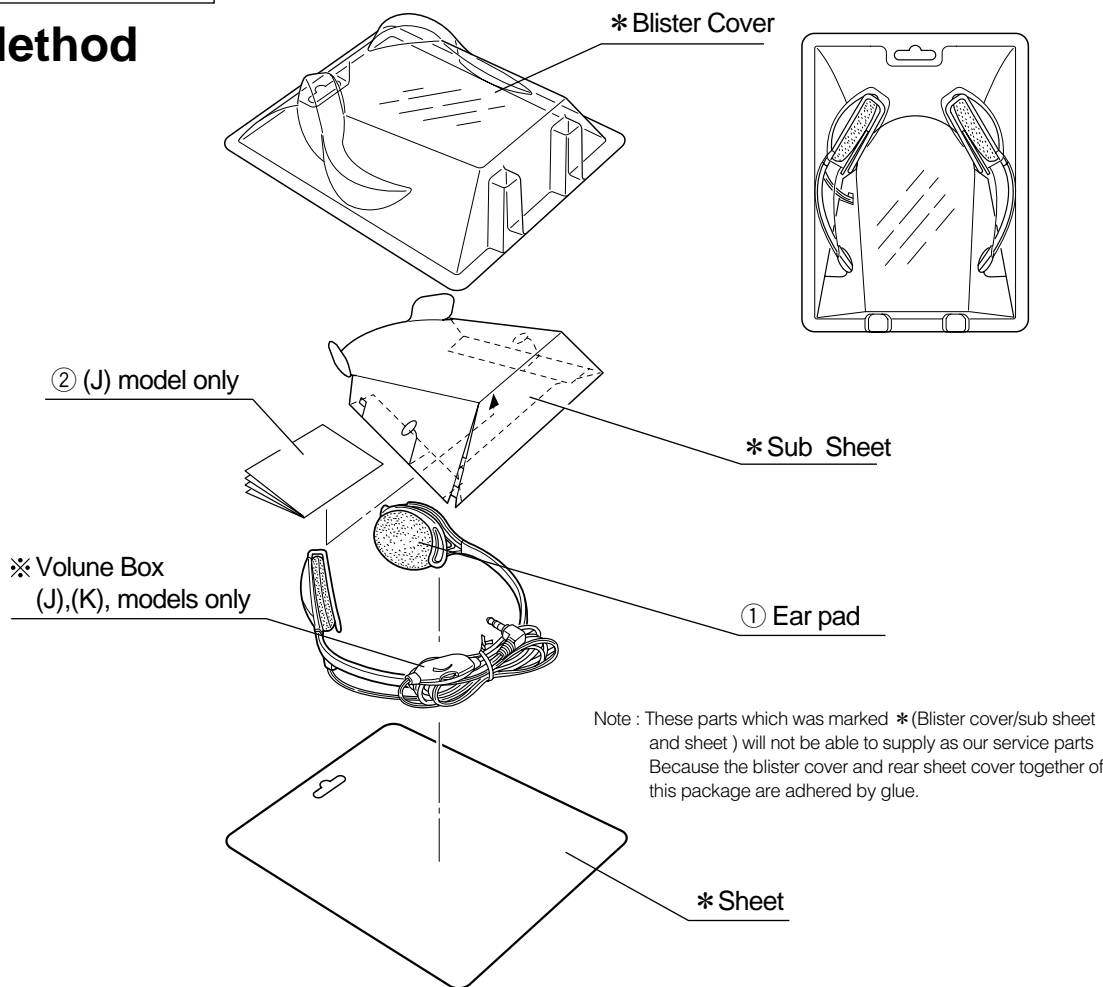


## Specifications

Type	: Moving coil
Frequency response	: 15 Hz-20,000 Hz
Nominal impedance	: 32 ohms
Sensitivity	: 98 dB/1 mW
Max. input capability	: 30 mW
Cord length	: 1.5 m (4.92 ft) with 3.5mm dia. stereo miniplug
Mass	: 46g (1.63 oz) without cord : 61g (2.16 oz) with cord / Type (E),(N) : 64g (2.27oz) with cord / Type (J),(K)
Additional Function	: Volume Control / Type (J),(K) only

*Design and specifications subject to change without notice.*

# Packing Method

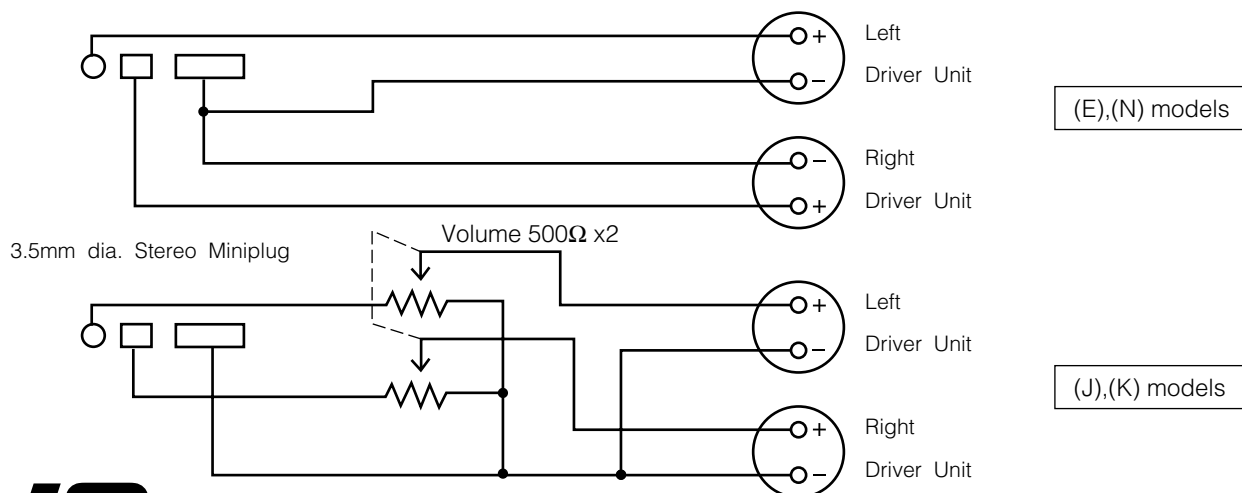


## Parts List

△	Item No.	Parts No.	Parts Name	Q'ty	Description
	1	J46231-001	Ear Pad	2	
	2	BT-51007-5	Warranty Information Card	1	for (J) model only

\*Parts marked ( △ ) are safety parts. When replacing, be sure to use the specified one.

## Wiring Diagram



VICTOR COMPANY OF JAPAN, LIMITED

COMMUNICATION NETWORK BUSINESS UNIT, 1644, SHIMOTSURUMA, YAMATO-SHI, KANAGAWA-KEN, 242-8514, JAPAN